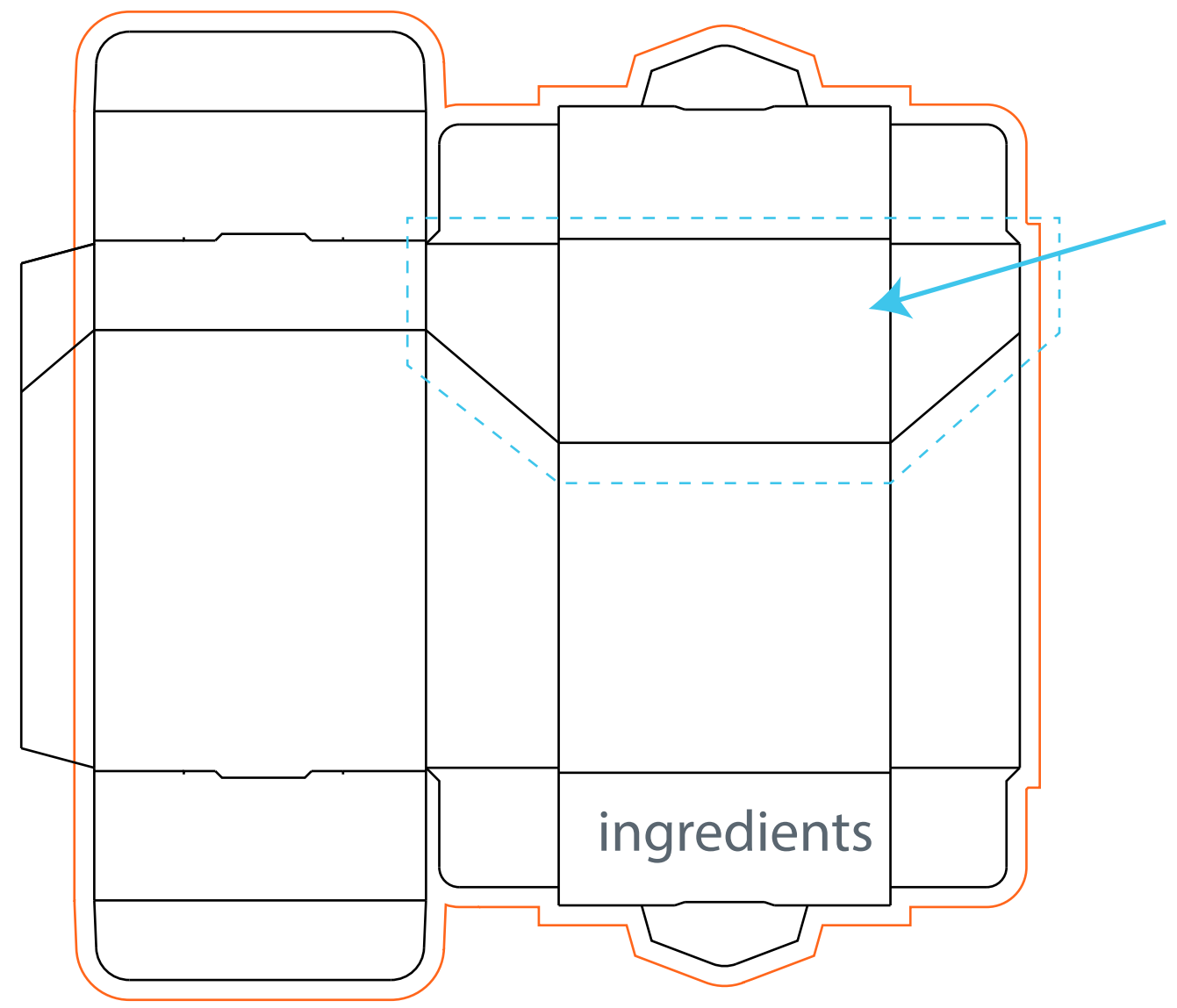


back



front



lid

inner part

