

PRODUCT SPECIFICATIONS:
100 x 170 mm

DESIGN COLORS

PMS	FULL COLOR
PMS	FULL COLOR

FILES
Full color images: .jpg, .psd or .png
Vector files: .eps, .ai or vector. pdf

RESOLUTION
All non-vector artwork should be supplied at a minimum of 300 DPI.
Any artwork supplied lower than 300 DPI will print blurred.

PMS
When artwork must be printed in PMS colors, PMS numbers are required.

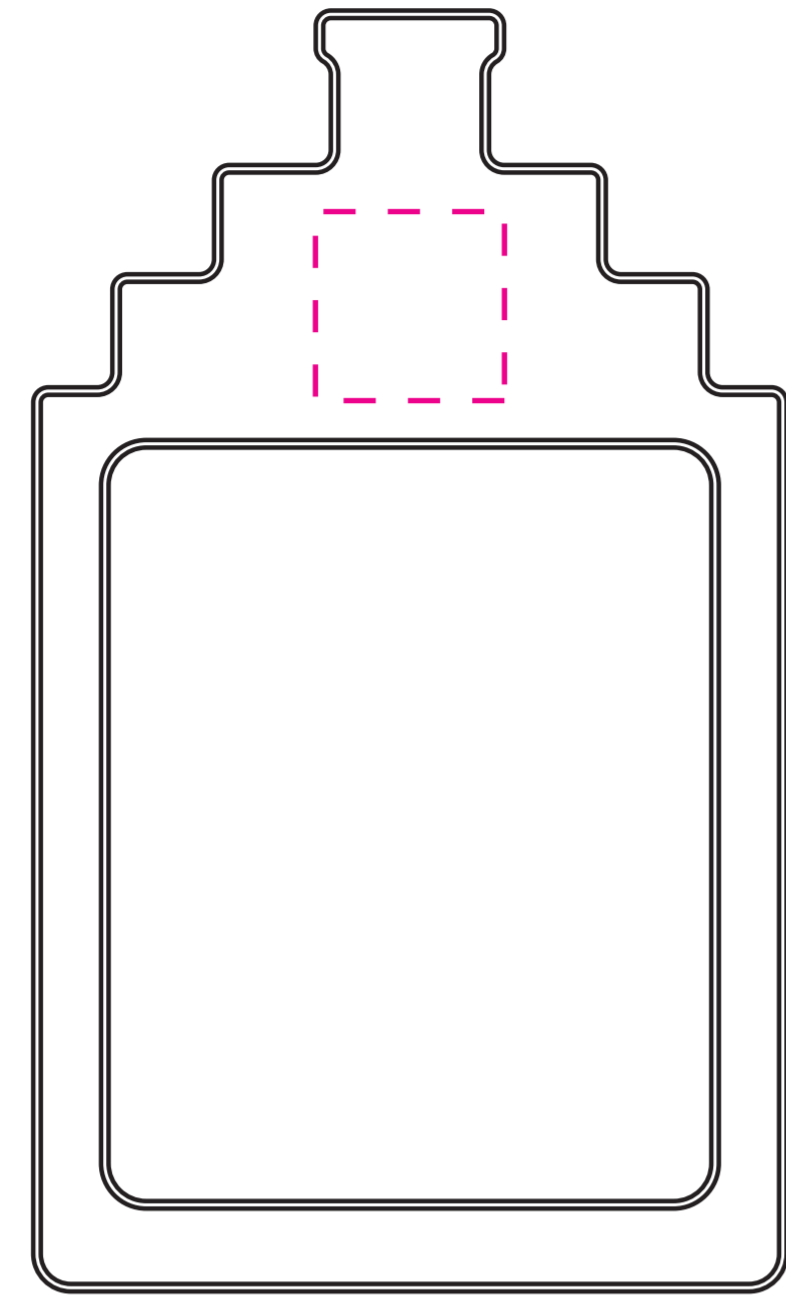
OUTLINES
Fonts must be delivered in outlines.

BLEEDING
Full color images must have at least 3 mm space between the edges and any font/logo or images.

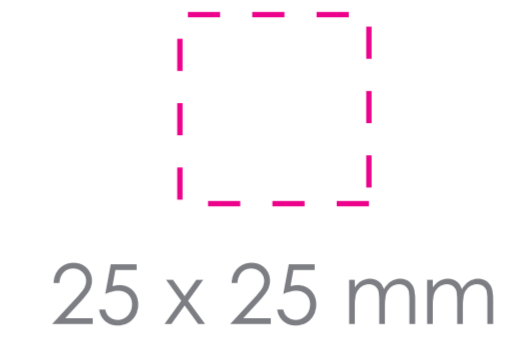
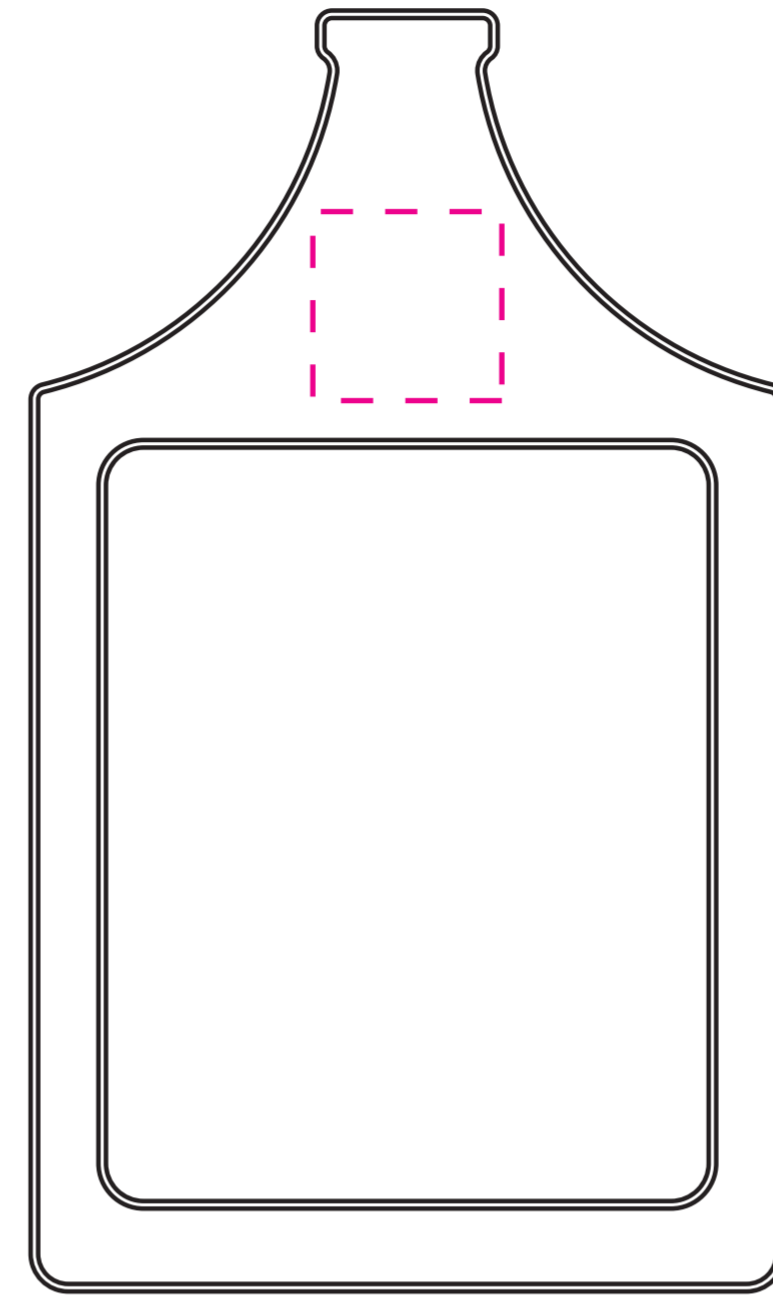
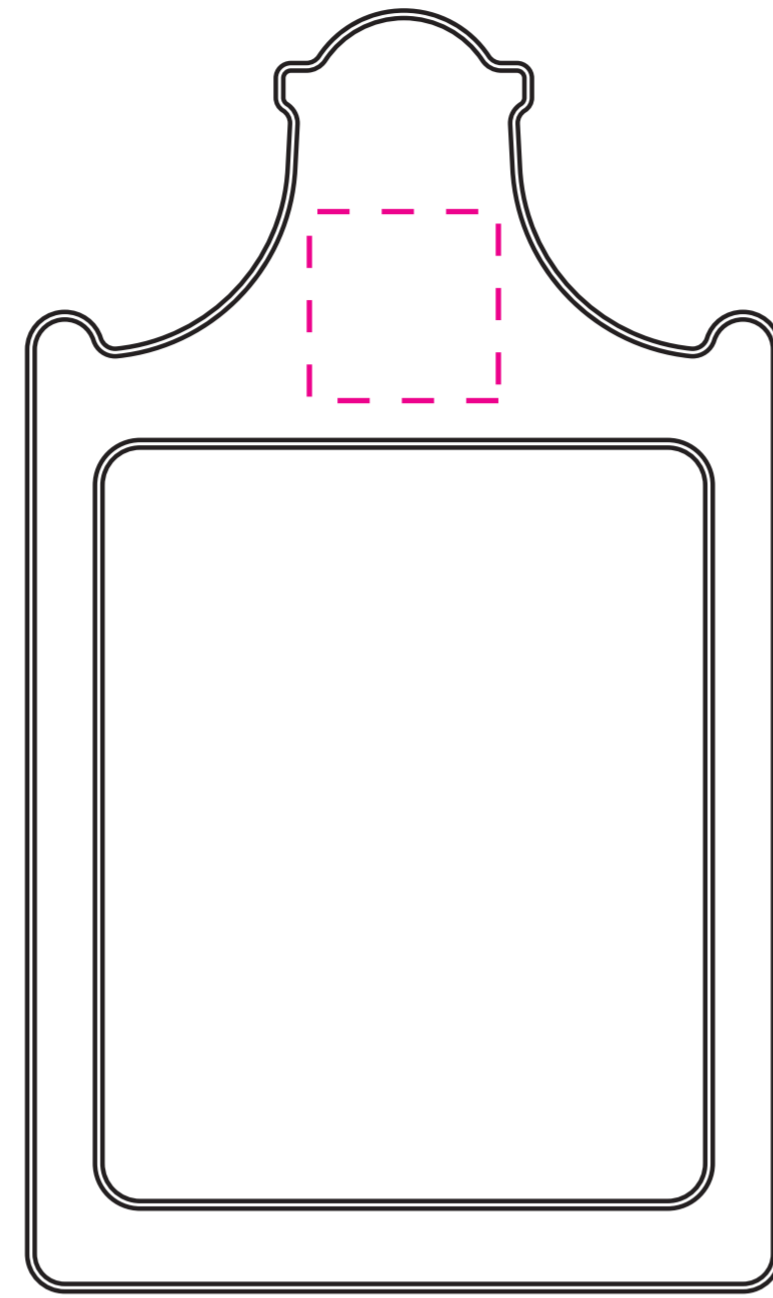
CONFIRMATION
Artwork will only be processed on receipt of written, fax or e-mail confirmation of the full order.

FRONT

170 mm



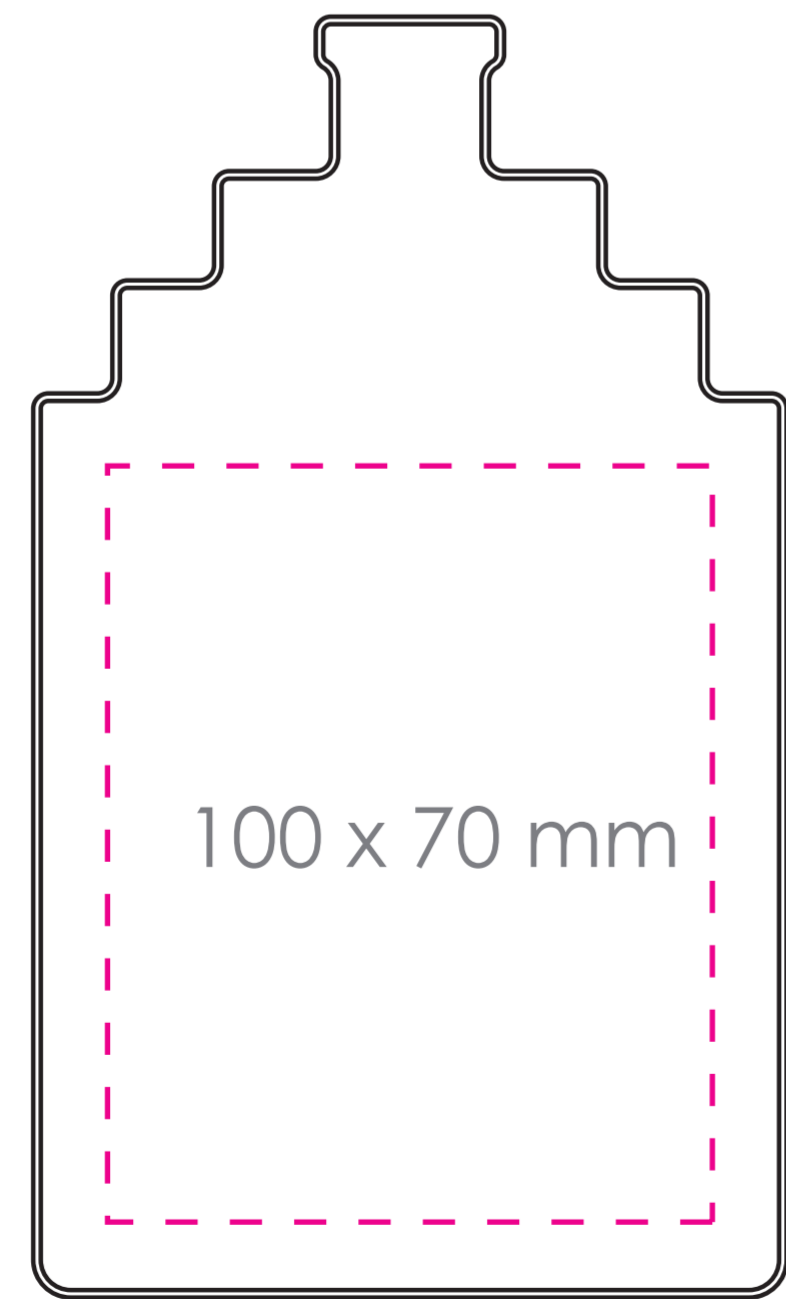
100 mm



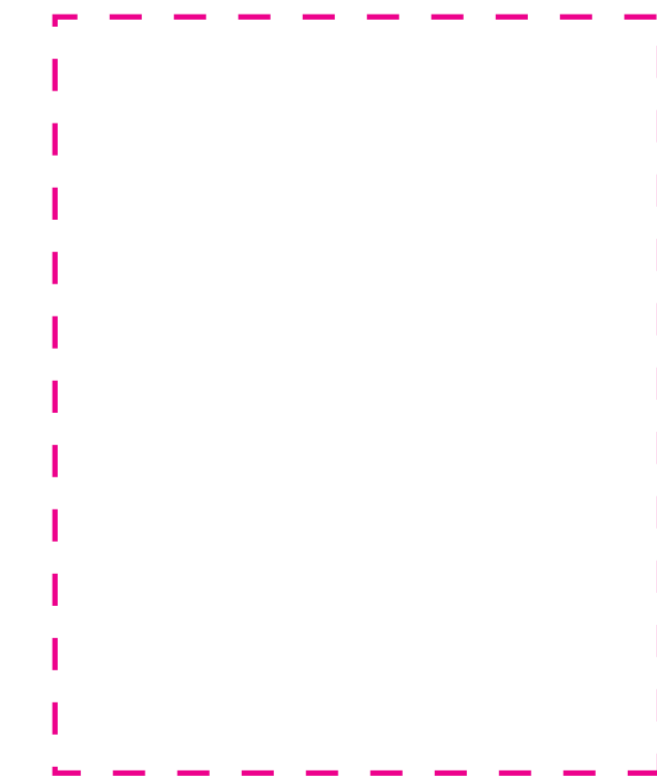
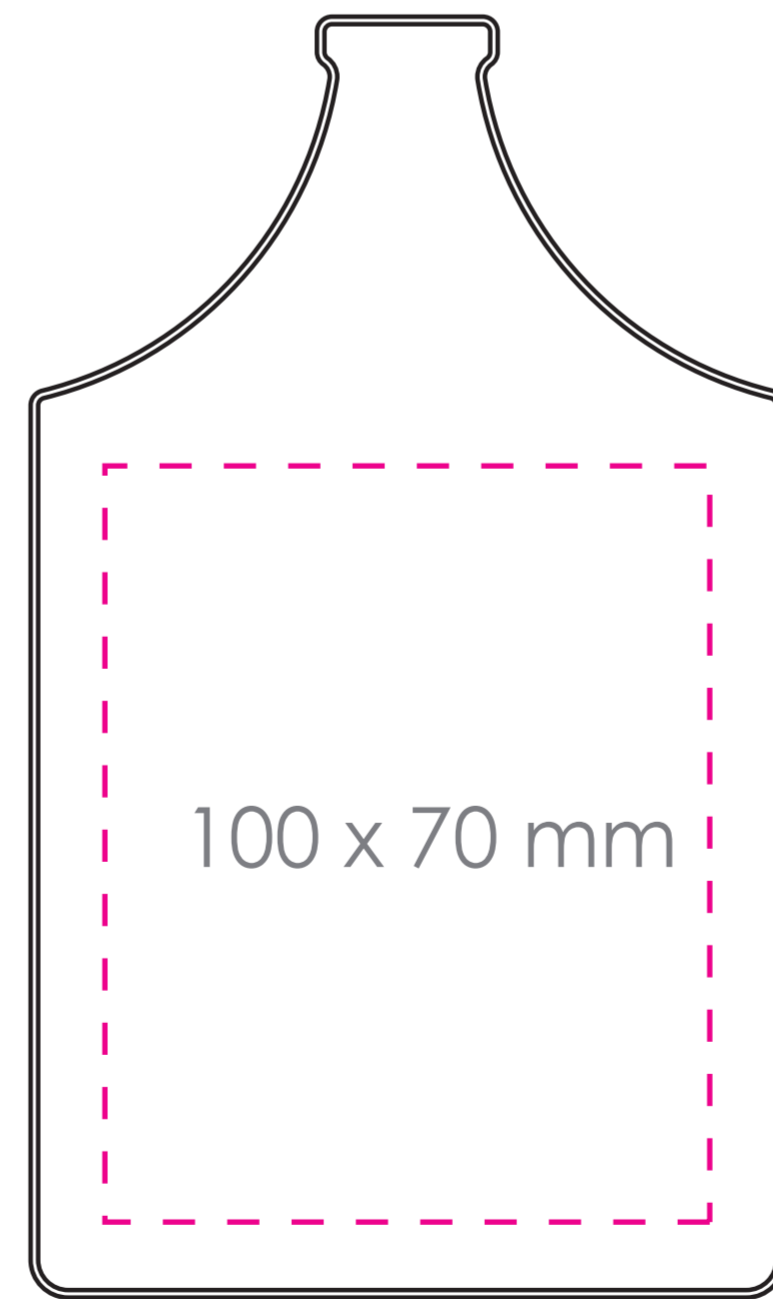
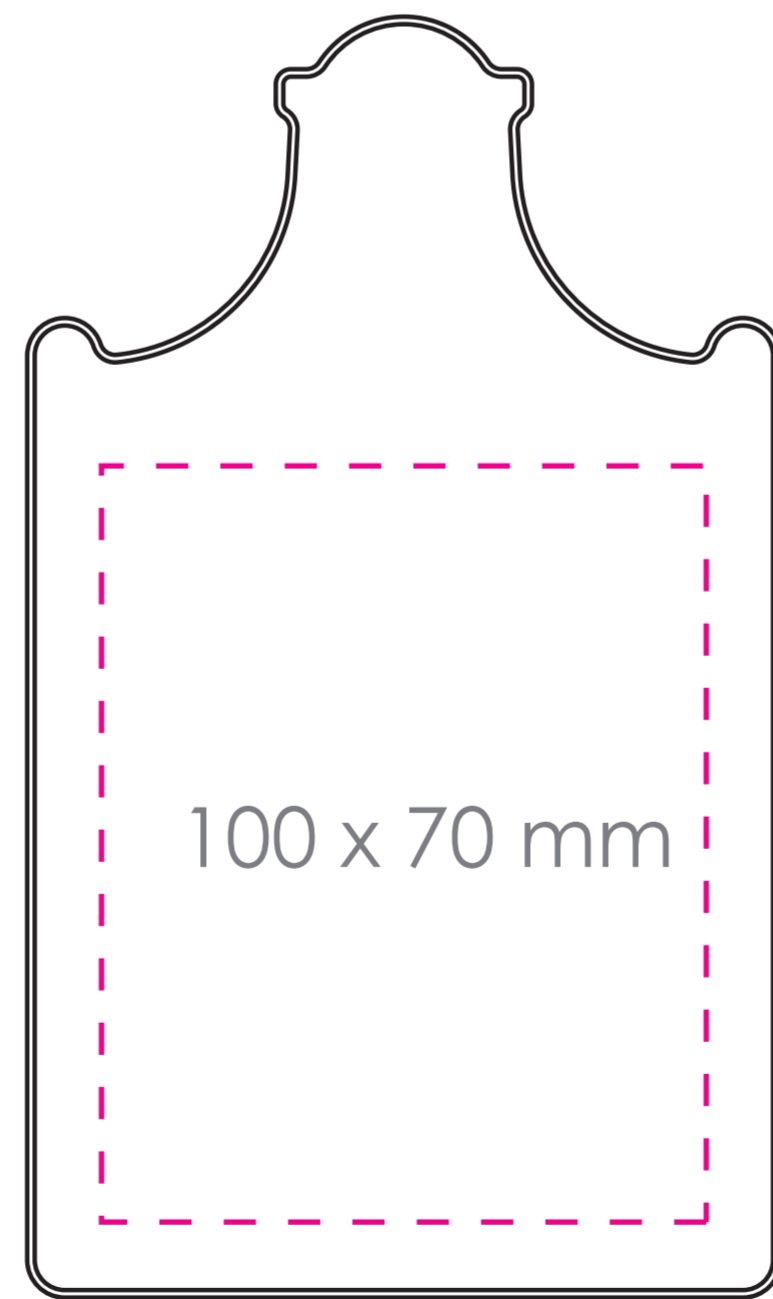
25 x 25 mm

BACK

170 mm



100 mm



100 x 70 mm

ARTWORK 100%

APPROVAL

YOUR SIGNATURE/DATE