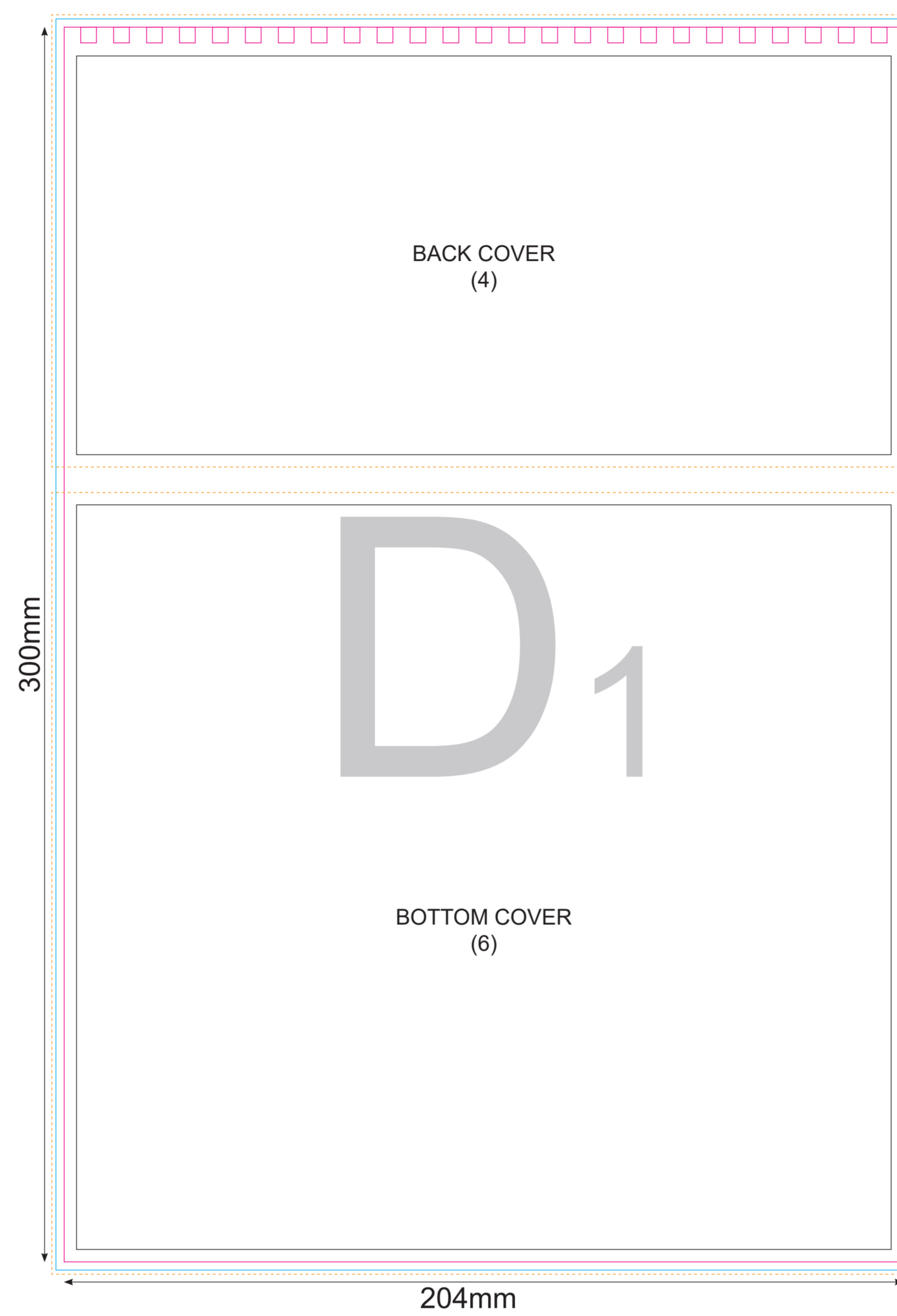
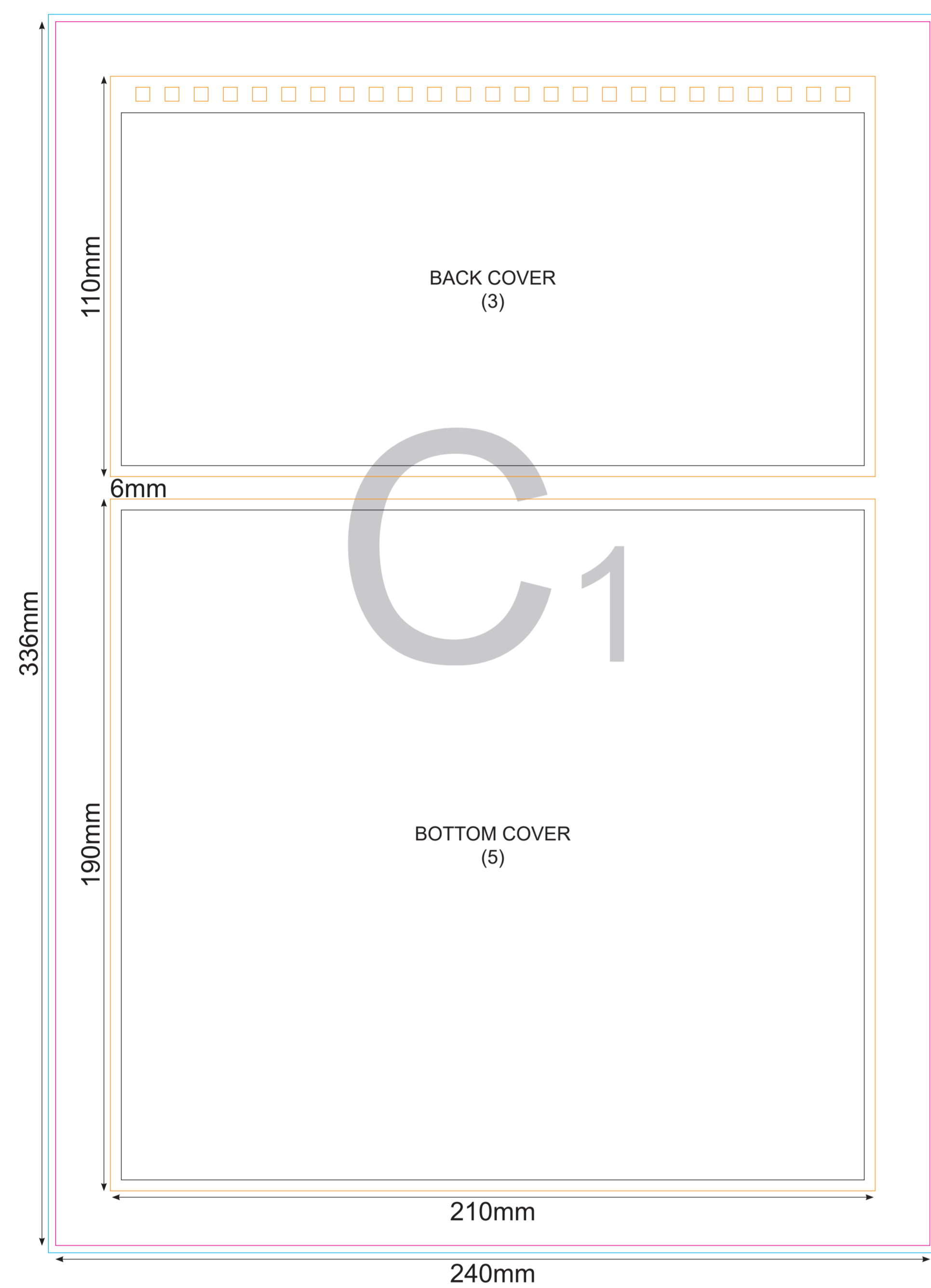
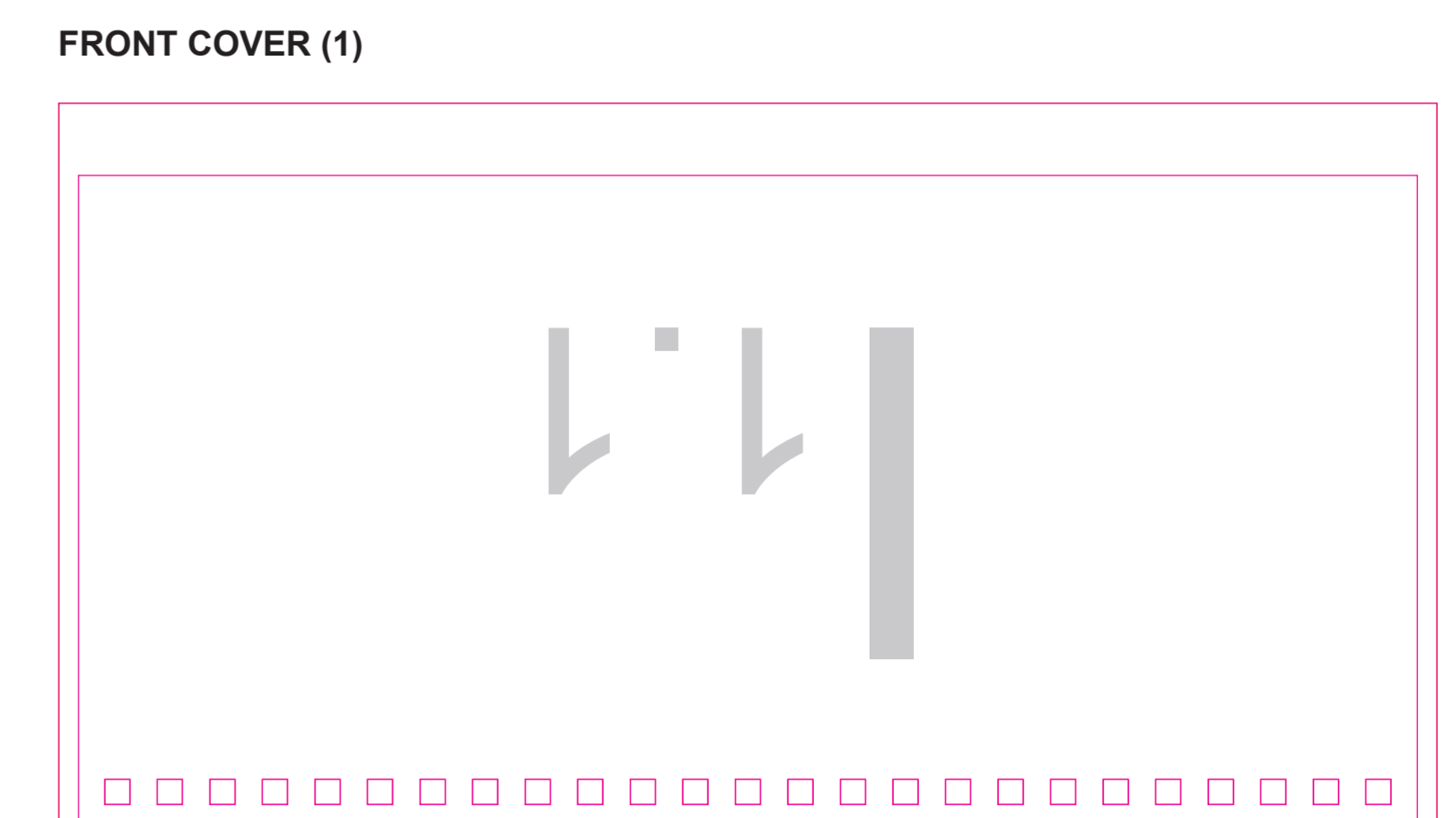
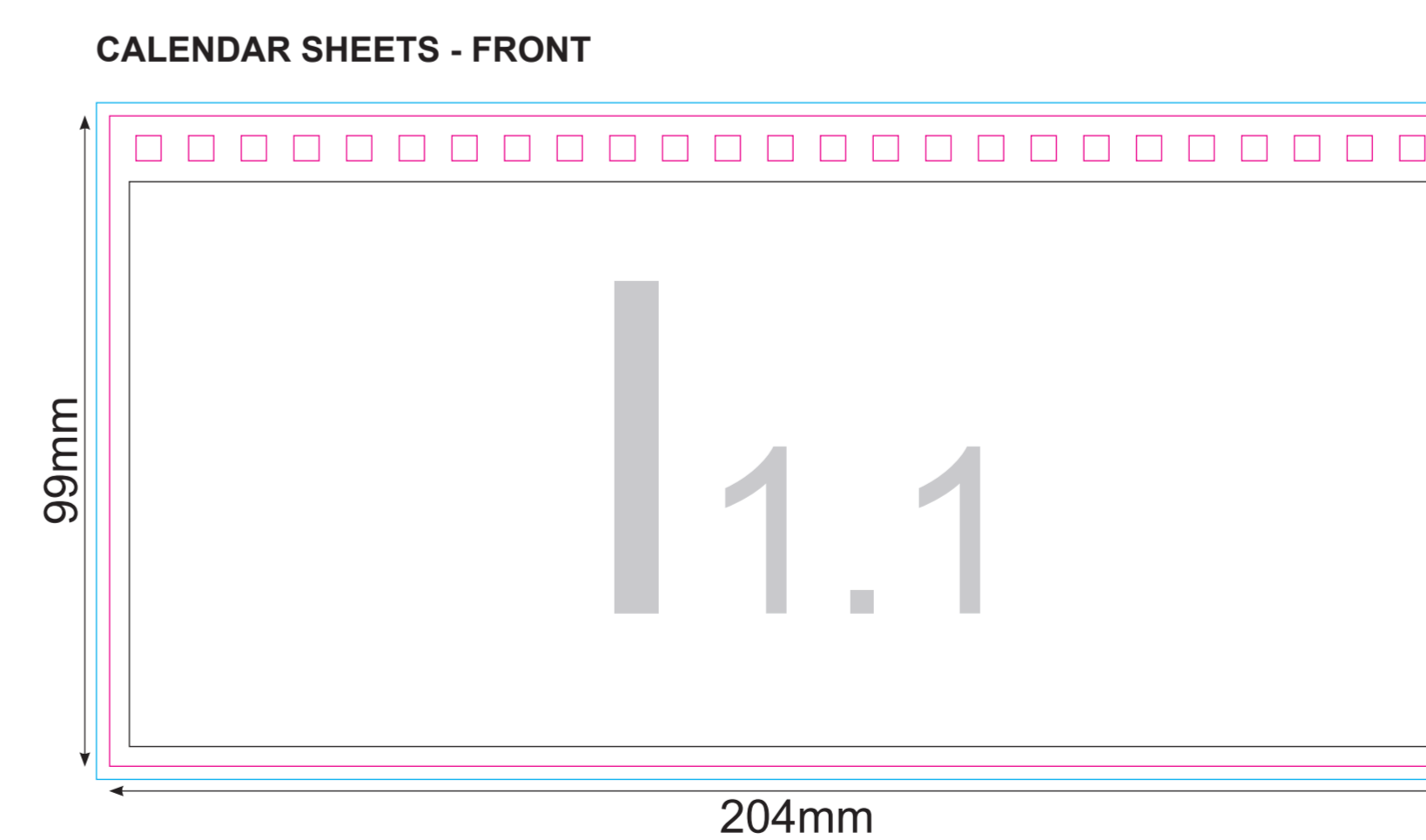
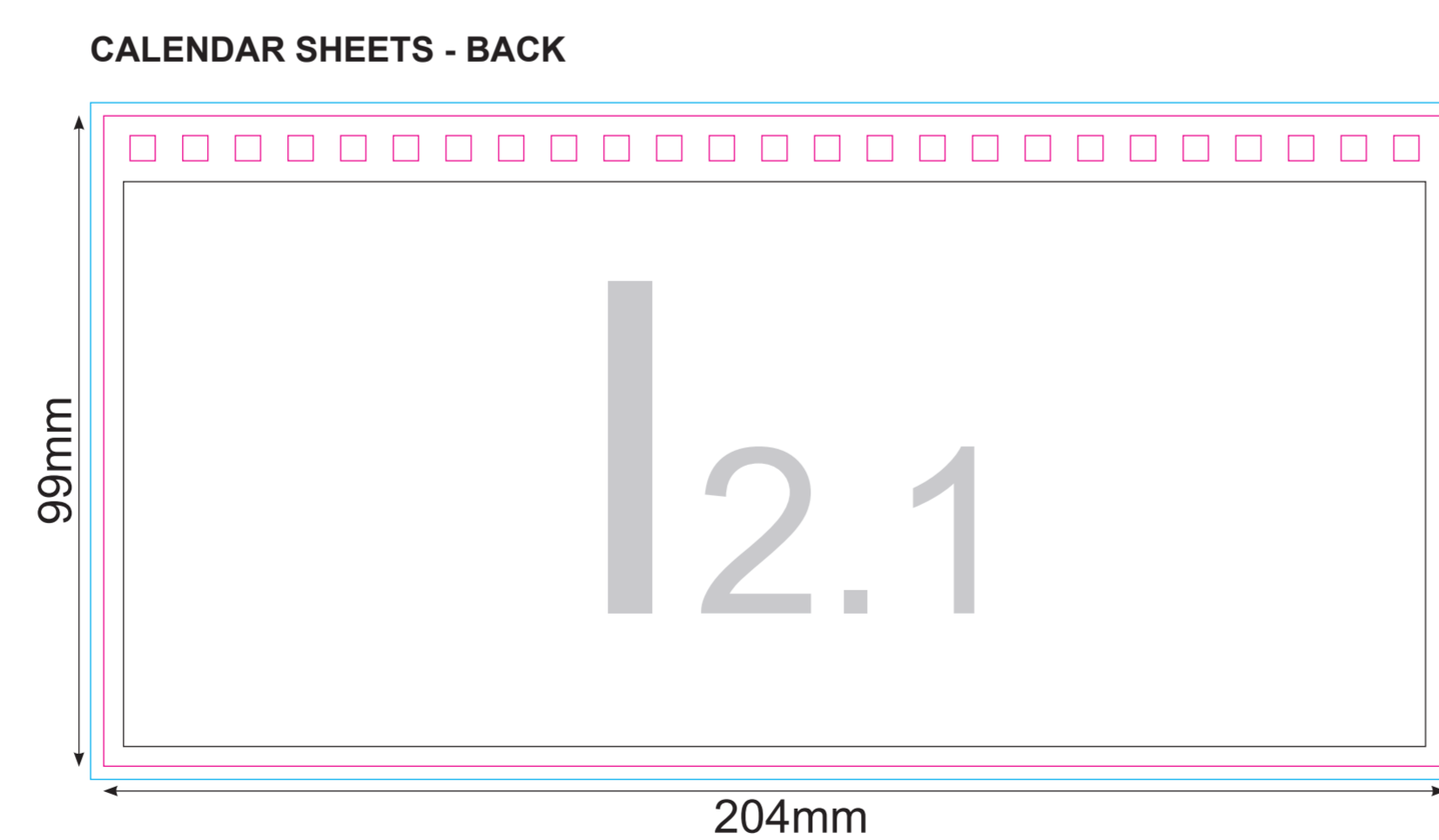
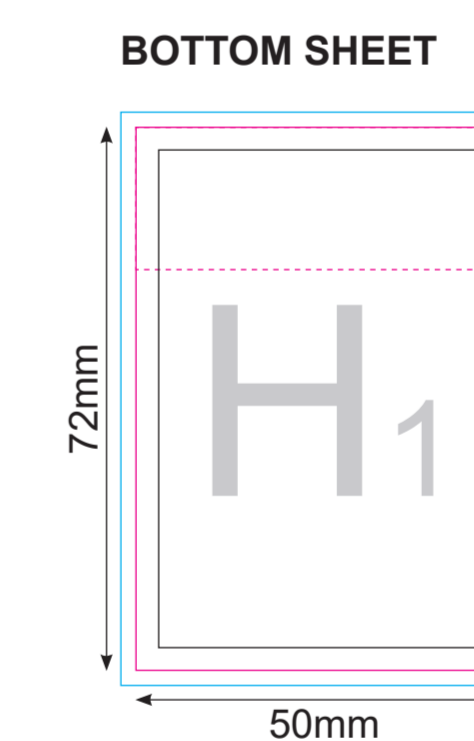
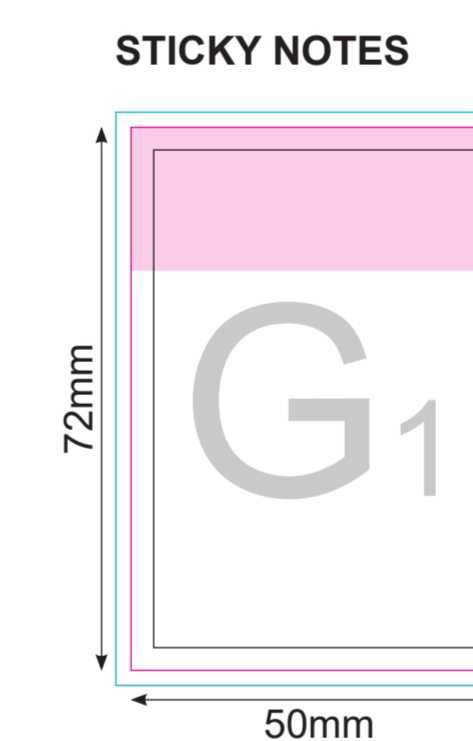
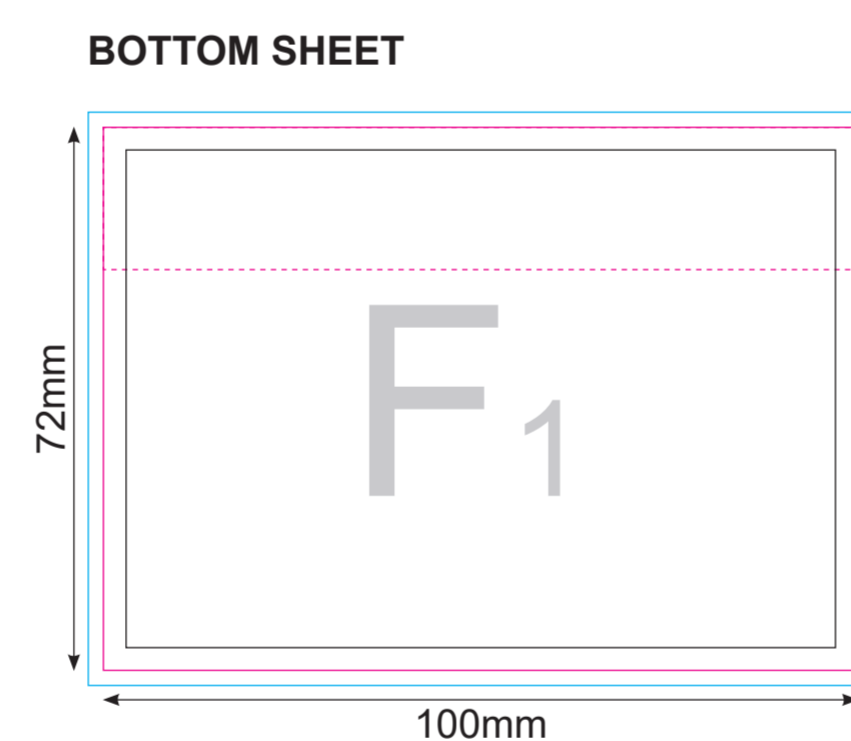
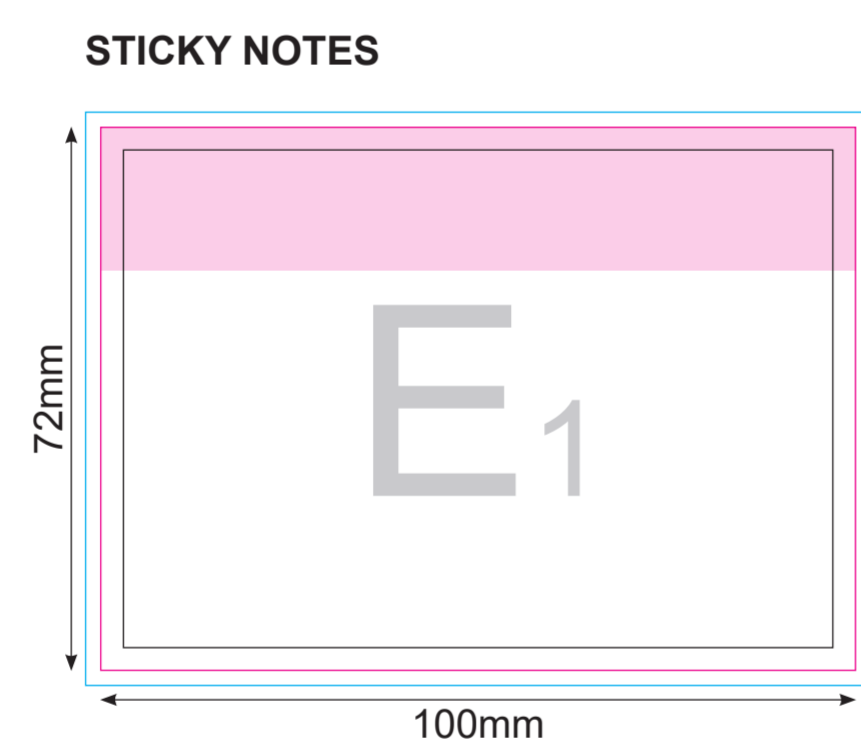
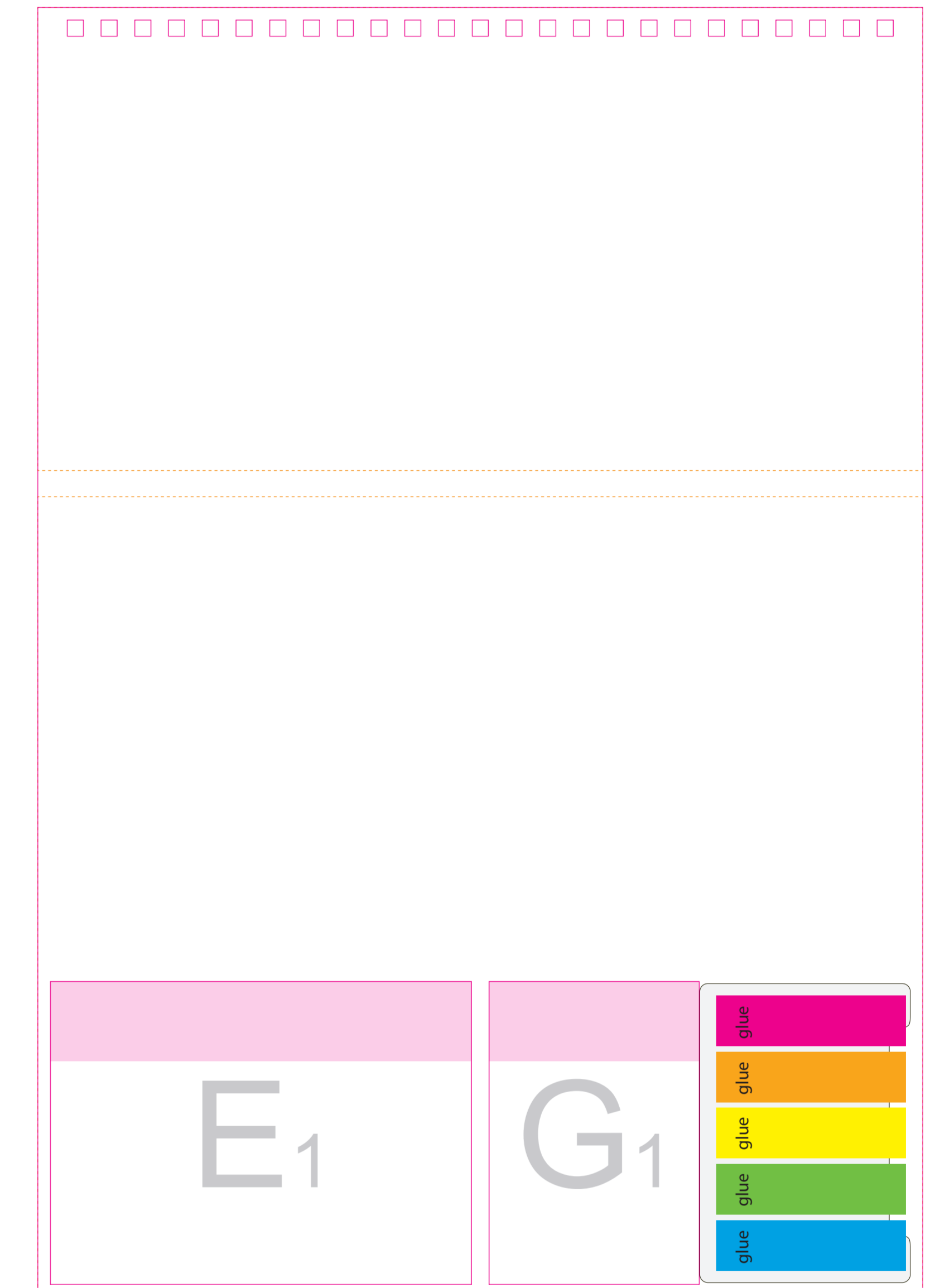


SKETCH OF COMPONENT PLACEMENT



BACK AND BOTTOM COVER (4 and 6)



Important:

Please use this page as preview/position guide.
 Please do NOT place your materials on this page.
 Please use next pages (2-11) for print ready files ONLY:

- page 2 - outer cover (A1)
- page 3 - inner cover (B1)
- page 4 - outer cover (C1)
- page 5 - inner cover (D1)
- page 6 - sticky notes (E1)
- page 7 - bottom sheet (F1)
- page 8 - sticky notes (G1)
- page 9 - bottom sheet (H1)
- page 10 - calendar sheet - fronts (I1.1)
- page 11 - calendar sheet - backs (I2.1)

Please duplicate calendar sheets until you reach your required amount.

- Key:
- Finished component size
 - Bleed area. In case of bleed imprint, please extend it until blue line
 - Safe print area. Keep all important text and graphics within this area
 - Solid board
 - Edge of solid board

A 1

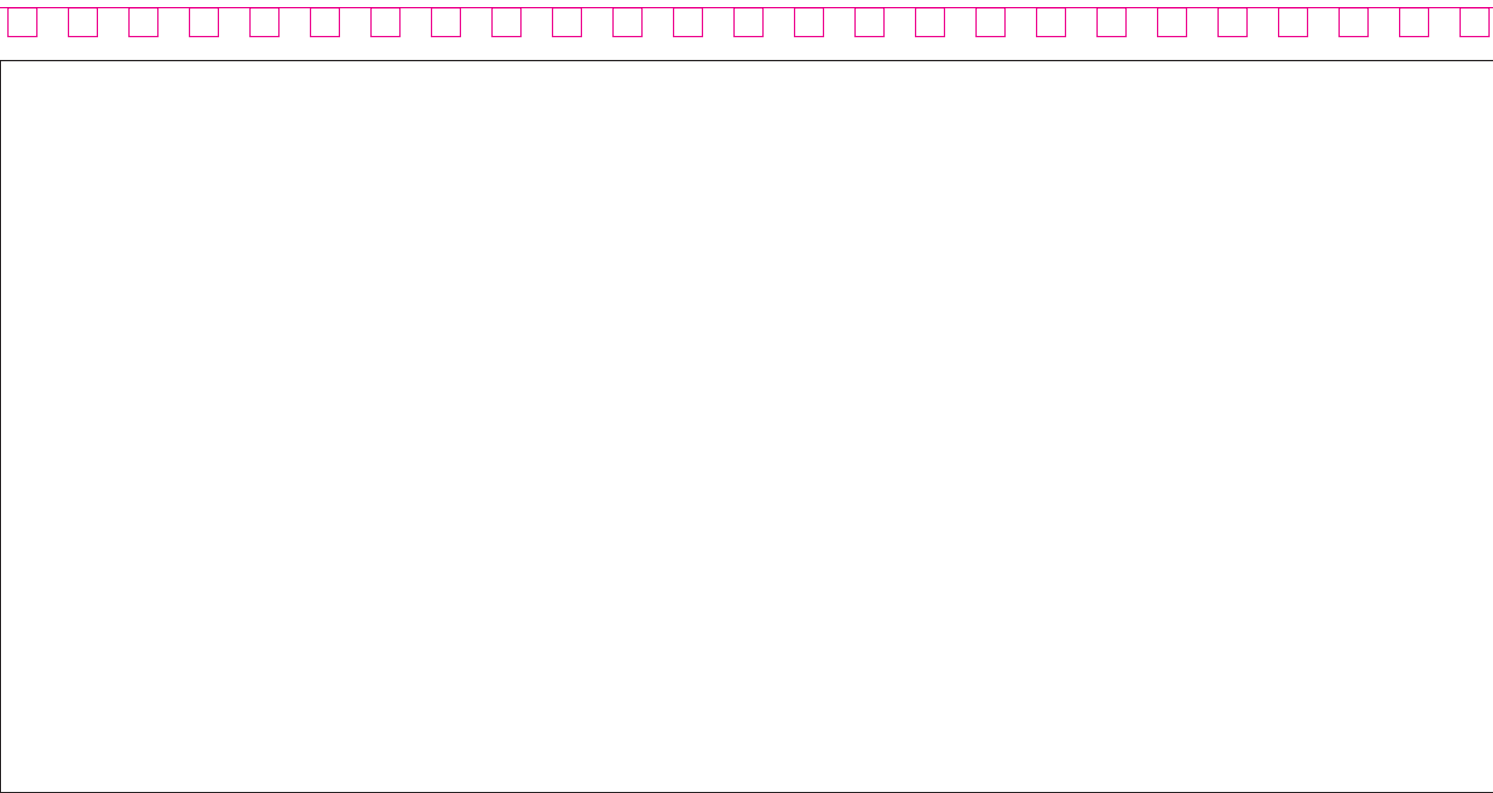


B 1





C1



D 1



E_1

F₁



G₁

H 1



1.1



1.1.2